

# MAXTRAP VACUUM COLD TRAPS

MAXTRAP50 -50°C  
MAXTRAP105 -105°C

Cold traps are a best practice tool for preserving/ extending vacuum pump life or the time between vacuum pump maintenance.

## Cascade's MAXTRAP is not an ordinary cold trap.

Cascade has taken our extensive knowledge of vacuum best practices and integrated the features necessary for our customers with time-sensitive, high-throughput, production-focused vacuum purging or drying applications.

## MAXTRAP DIFFERENCES

**Time:** Most cold traps have very narrow inlets and outlets, slowing down your process. Not Cascade's MAXTRAP - with full KF25 inlet and outlet connections never reduce flow, area, temperature or time.

**Surface Area:** Most cold traps have a glass or smaller surface area to collect the matter your vacuum pump would otherwise ingest. Cascade's MAXTRAP surface area is a patent pending series of filter baffles inside the COLDWELL stainless trap.

**Temperature:** Cascade's MAXTRAP features quality mechanically refrigerated systems build in the USA. NRTL certified.



## INCLUDES

- Cascade's COLDWELL 304 Stainless Trap - Patent Pending Baffle System
- 3 Quart Capacity (2839 mliters)
- Refrigerated Base (LABCONCO)
- Green CFC / HFC Free Refrigerants
- KF-25, Connection Line & Hardware
- Power Cord

## THE COLDWELL TRAP INSERT



PATENT PENDING



MADE IN THE USA

Visit our showroom!

6725 NE Evergreen Pkwy, Ste 106  
Hillsboro, OR 97124



(503) 847-9047

info@cascadesciences.com

cascadesciences.com

© 2018 Cascade Sciences, LLC

# SPECIFICATIONS



## COLDWELL STAINLESS TRAP

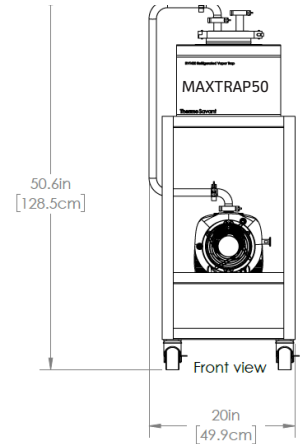
- KF-25 Inlet & Outlet
- 3 Quart Capacity (2,839 mliters)
- Viton Gasket
- Neoprene Insulator Cap
- Weight: 14lbs
- 304 Stainless Steel



**MAXTRAP50**



**MAXTRAP105**



### MECHANICAL BASE

115V / 1ph / 4 AMP

115V / 1ph / 13 AMP

Cord Included

Cord Included

CFC / HCFC Free Refrigerants CFC / HCFC Free Refrigerants



\*220V Options Available

### DIMENSIONS

13.5" W x 23.5" D x 12.0" H

24.1" W x 23.9" D x 12.6" H

34.3 cm x 59.7 cm x 30.5 cm

61.2 cm x 60.7 cm x 44.7 cm

\*Requires 800ml ( $\approx$ 3.5 cups) of transfer fluid (ethanol, glycol, cryo-cool fluids)

### CONNECTIONS

1 each 4' KF-25 flanged vacuum rated line

1 each KF-25 Centering Ring

1 each KF-25 Clamp

### WEIGHT

60 lbs

139 lbs

Shipping:

95 lbs

190 lbs

### OPTIONS

Mobile TRAPCART: Allows vacuum pump and trap to be mobile and sit beside vacuum oven station

Additional COLDWELL: Keep processing and cold trapping while defrosting/regenerating original COLDWELL.



MAXTRAP50 shown with optional TRAPCART and vacuum pump

Visit our showroom!

6725 NE Evergreen Pkwy, Ste 106  
Hillsboro, OR 97124



(503) 847-9047

info@cascaDESCIENCES.COM

cascaDESCIENCES.COM

© 2018 Cascade Sciences, LLC